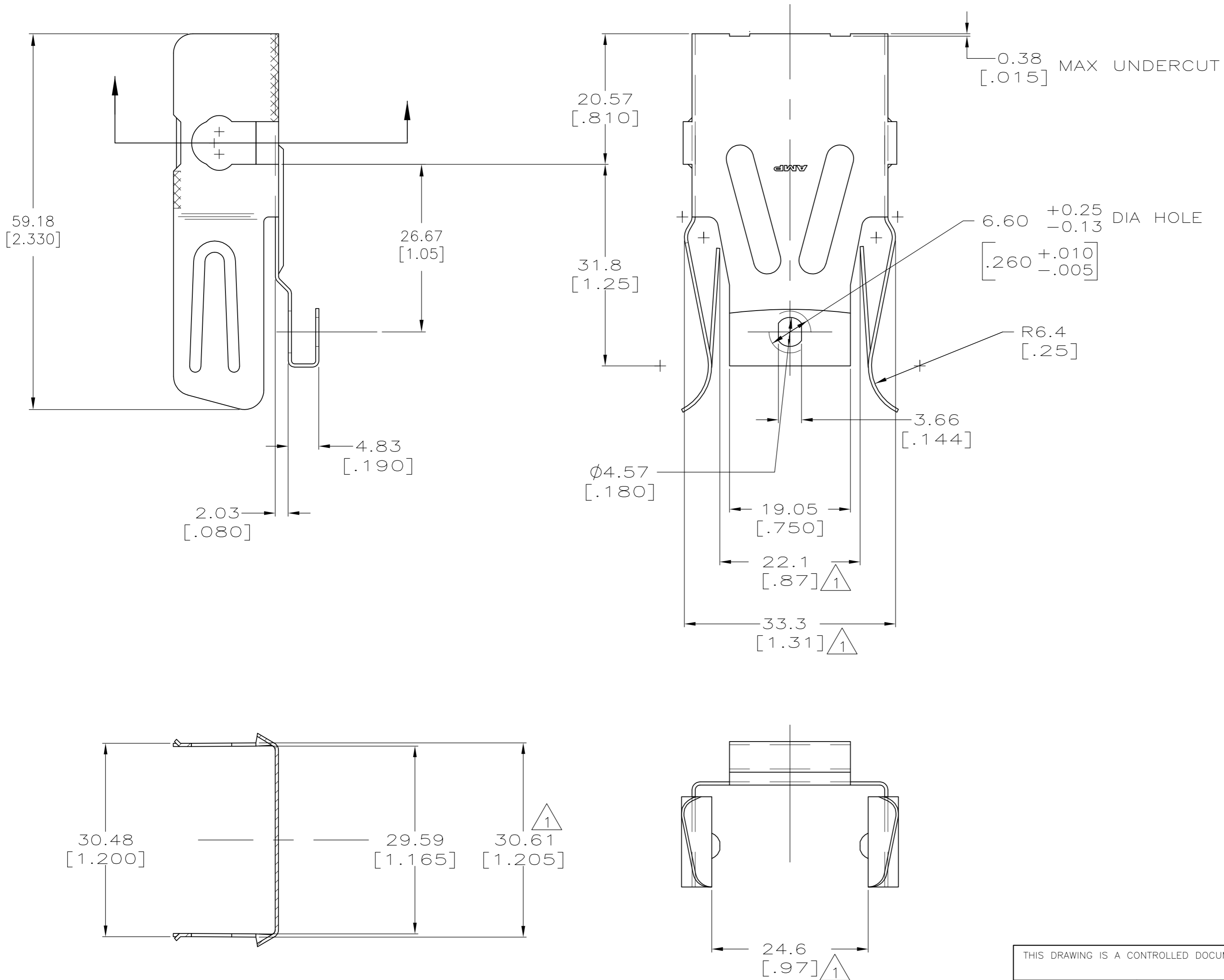


THIS DRAWING IS UNPUBLISHED. RELEASED FOR PUBLICATION
 © COPYRIGHT BY TYCO ELECTRONICS CORPORATION. ALL RIGHTS RESERVED.

LOC	DIST	REVISIONS				
P	LTR	DESCRIPTION	DATE	DWN	APVD	
AF	50	F1	REVISED PER ECR-08-006534	04APR08	HMR	GJ

△ 1 DIMENSION TO BE CHECKED WHEN SIDES ARE PARRALLEL WITH [1.215] DIM.



1217841-1
PART NO.

THIS DRAWING IS A CONTROLLED DOCUMENT.		DWN MICHAEL S. FEHER 06JUN2002	Tyco Electronics Corporation Harrisburg, PA 17105-3608	
DIMENSIONS: mm		CHK DONALD DECKER 06JUN2002	NAME CLIP, CONNECTOR, HEAVY DUTY BURNER	
TOLERANCES UNLESS OTHERWISE SPECIFIED:		APVD DONALD DECKER 06JUN2002	PRODUCT SPEC	RESTRICTED TO
<ul style="list-style-type: none"> 0 PLC ± - 1 PLC ± - 2 PLC ± 0.8 [.03] 3 PLC ± 0.25 [.010] 4 PLC ± - ANGLES ± - 		APPLICATION SPEC 114-1028	SIZE A2	CAGE CODE 00779
MATERIAL 1/4 HARD STAINLESS		FINISH -	WEIGHT -	DRAWING NO C=1217841
CUSTOMER DRAWING			SCALE 2:1	SHEET 1 OF 1
			REV F1	